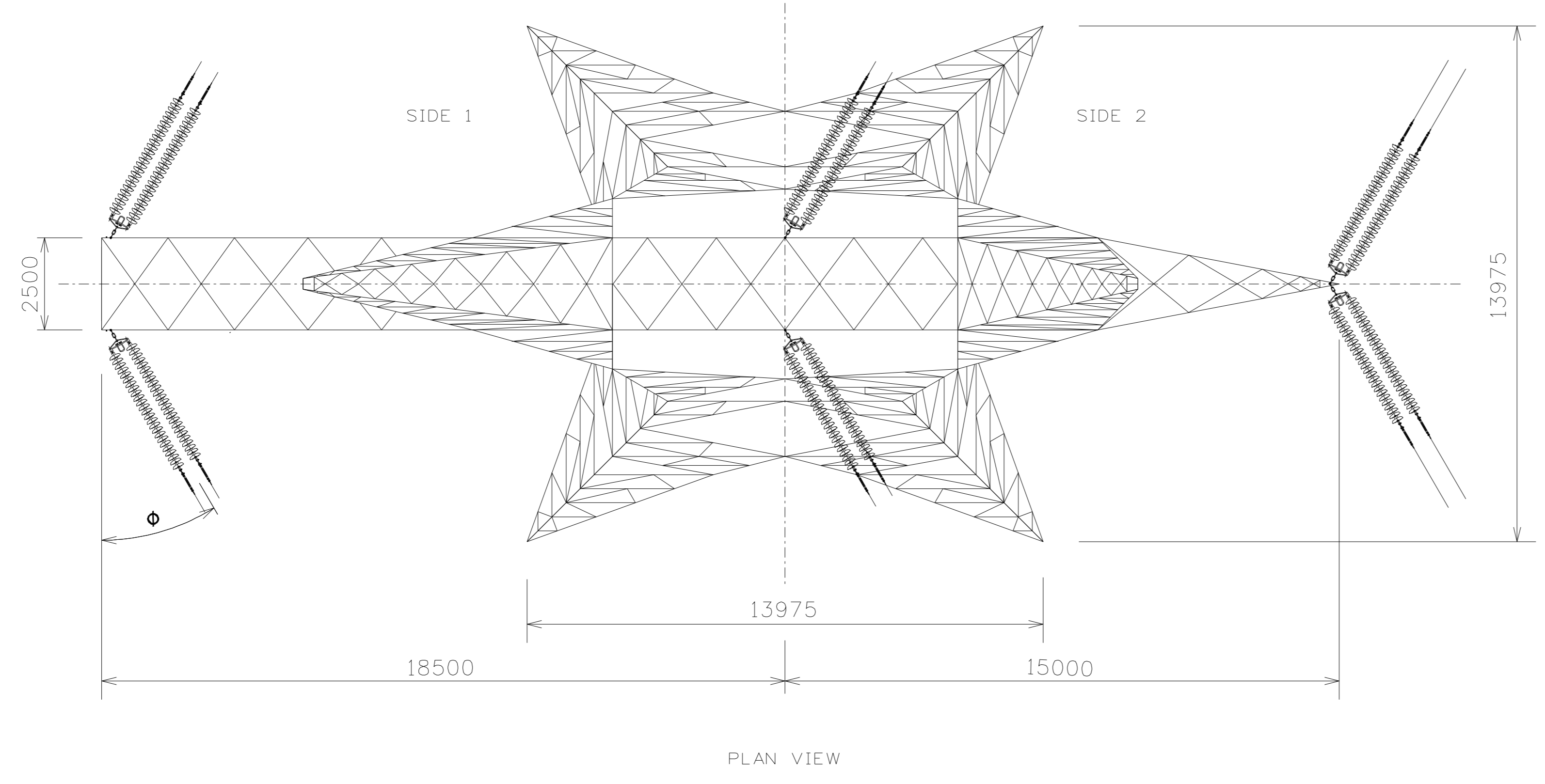
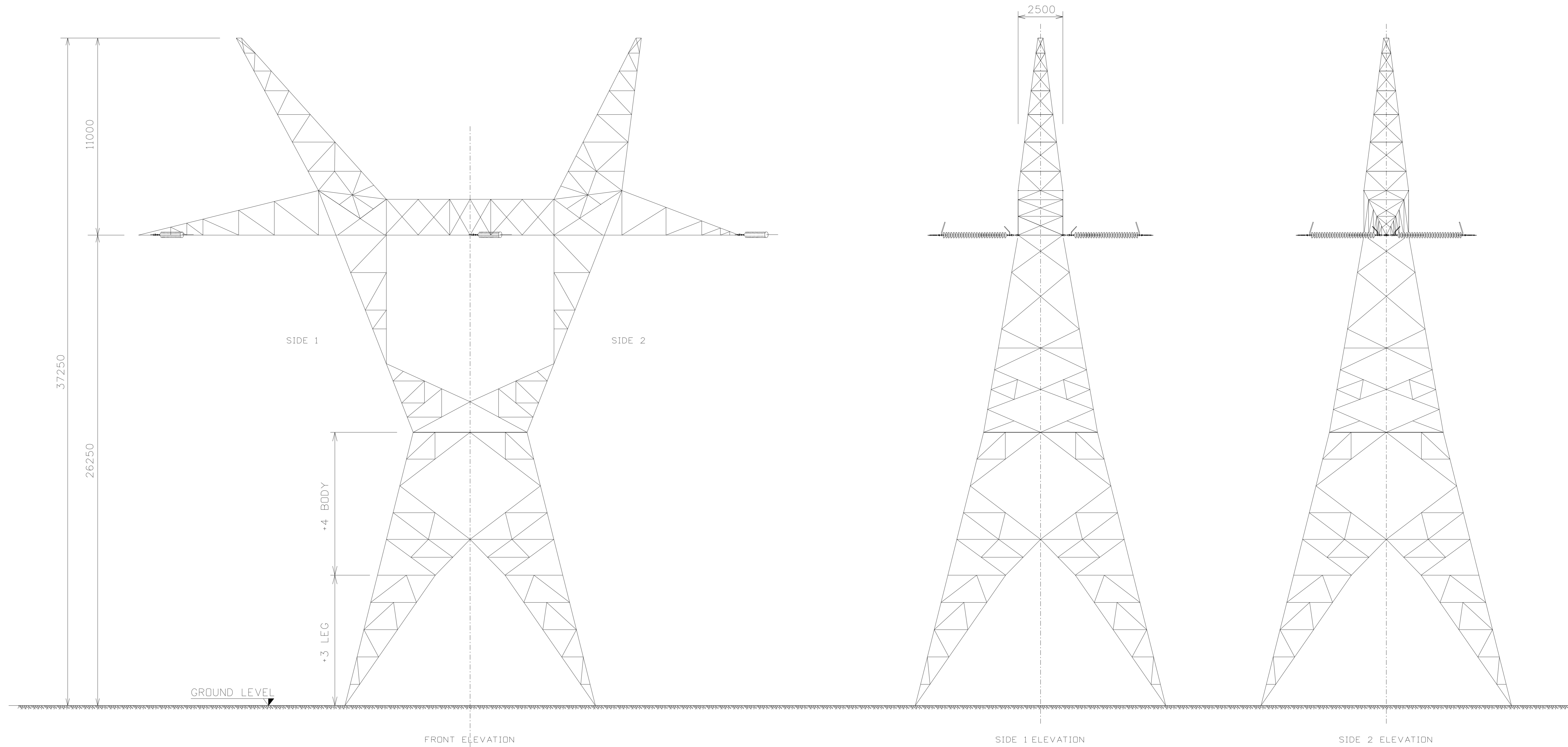


A  
B  
C  
D  
E  
F  
GROUND LEVEL  
G  
H



- NOTES:**
- INTERNAL BRACING MAY CHANGE DEPENDING ON TOWER SUPPLIER.
  - ORIENTATION OF INSULATOR  $\phi$  IN PLAN WILL VARY FROM  $0^\circ$  -  $50^\circ$  FOR EACH TOWER LOCATION.
  - ALL DIMENSIONS IN MILLIMETRES UNLESS STATED OTHERWISE.
  - ACTUAL DIMENSIONS MAY BE LESS THAN SHOWN ON DRAWING, DEPENDING ON TOWER SUPPLIER.
  - OUTLINE BASED ON EXISTING 400KV STRAIN TOWER (TYPE 408: PE517-D021-019-015).

REV.	DATE	REVISION DESCRIPTION	DRN	PROJ	VER	APP
-	-	-	-	-	-	-
PURPOSE OF ISSUE - PRELIMINARY UNLESS INDICATED						
TENDER <input type="checkbox"/> CLIENT APPROVAL <input type="checkbox"/> CONSTRUCTION <input type="checkbox"/> AS-BUILT <input type="checkbox"/> REVISED <input type="checkbox"/>						
Client: <b>EIRGRID</b>						
Project: <b>Materials</b>						
Contract:						
Drawing Title: <b>400KV LINES OUTLINE DRAWING FOR PLANNING SINGLE CIRCUIT STRAIN TOWER WITH SHIELDWIRE FOR ALL CHANGES IN LINE DIRECTION UP TO 100° T26 (+4, +3) - MAX HEIGHT 37.25m</b>						
Production Unit: <b>High Voltage Engineering</b>						
<b>ESB International</b> ESB Energy Innovation <small>ESB Engineering Solutions, Shelton Court, 18-21 St. Stephen's Green, Dublin 2, Ireland. Tel: (01) 703 8000 Fax: +353 (0)1 703 7185 Email: <a href="mailto:enquiries@esb.ie">enquiries@esb.ie</a> <a href="http://www.esb.ie">www.esb.ie</a></small> <small>ESB Engineering Solutions is a trading name of ESB Engineering &amp; Facility Management Limited. Registered Office in Dublin. Registered in Ireland No. 102618</small>						
DRAWN	PRODUCED	VERIFIED	APPROVED	APPRO DATE		
Edging	P.Lewis	L.Conroy	P.Lewis	01/08/12		
CLIENT REF	TC207526	No. of Bks	SIZE	SCALE		
		-	A0	1/100		
DRAWING NUMBER				BHEET	REV	
PG567-D004-493-002-000						

COPYRIGHT-ESB INTERNATIONAL LIMITED. All rights reserved. No part of this work may be reproduced or transmitted in any form or by any means - graphic, electronic or mechanical, including photocopying, recording, taping or information retrieval systems, except for any purpose other than to design and construct, without the written permission of ESB International Limited.